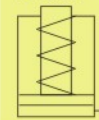


RSCS-Series

Single-Acting, Low Height Cylinders

- Lightweight, low profile design for use in confined spaces ,but stroke higher than RSSM.
- Grooved plunger end with threaded holes for mounting tilt saddles.
- Chrome plated plunger and inner of barrel resists wear and corrosion.
- Maximum sized springs speed piston return and increase spring life.
- Plunger wiper reduces contaminant.
- Stop ring for piston blow-out protection.
- Powder coat finish for increased corrosion resistance and antirust.
- SQB-3/8UF coupler and dust cap are included on all models.

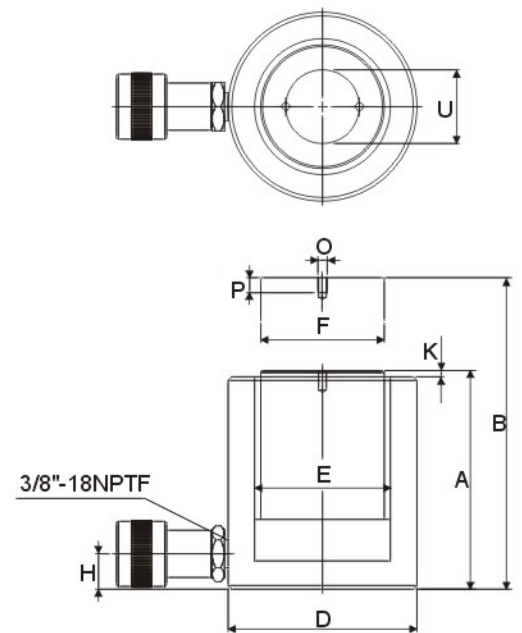
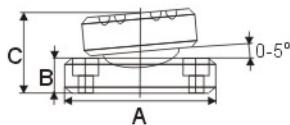
RSCS Series



Capacity:
10-100 tons

Stroke:
1.50-2.44 inches

Maximum Operating Pressure:
10,000psi



Optional Bolt Tilt Saddle Dimensions (in)				
Cylinder Model/Cap.	Model Number	A	B	*C
(tons)				
RSCS-101	XKCATRSCS-10	1.38	0.43	0.83
RSCS-201,302,502	XKCATRSCS-20	1.97	0.59	1.14
RSCS-1002	XKCATRSCS-100	2.80	0.67	1.39

*C dimension equals saddle protrusion from plunger.
Mounting screws are included.

Handle type
(S) : standard equipped
(O) : option
● Weldable
★ Eyebolt
▲ Removable strap handle
■ Thread

Handle type	Model Number	Cylinder Capacity	Stroke	Cylinder Effective Area	Oil Capacity
(S)		(tons)	(in)	(in ²)	(in ³)
	RSCS-101	10	1.50	2.24	3.35
	RSCS-201	20	1.75	4.43	7.75
	RSCS-302	30	2.44	6.49	15.82
●	RSCS-502	50	2.38	9.62	22.85
●	RSCS-1002	100	2.25	19.63	44.18

Collapsed Height	Extended Height	Outside Diameter	Cylinder Bore Diam.	Plunger Diam.	Base to Adv. Port	Plunger Protrusion from Base	Thread	Thread Depth	Bolt Circle	Weight	Model Number
A (in)	B (in)	D (in)	E (in)	F (in)	H (in)	K (in)	O (mm)	P (in)	U (in)	(lbs)	
3.47	4.97	2.75	1.69	1.50	0.69	0.20	M4	0.32	1.03	9.0	RSCS-101
3.88	5.63	3.63	2.38	2.00	0.69	0.13	M5	0.32	1.56	11.0	RSCS-201
4.63	7.06	4.00	2.88	2.62	0.75	0.13	M5	0.32	1.56	15.0	RSCS-302
4.81	7.19	4.88	3.50	2.75	0.94	0.08	M5	0.32	1.56	24.0	RSCS-502
5.56	7.81	6.50	5.00	3.63	1.25	0.06	M8	0.40	2.19	50.0	RSCS-1002