

RSSM SERIES

RSSM-Series

Single-Acting, Low Height, Flat Cylinders

- Compact and flat design for use where in a narrow space.
- Mounting holes permit easy fixturing.
- Grooved plunger ends require no saddle.
- Chrome plated plunger and inner of barrel resists wear and corrosion.
- Maximum sized springs speed piston return and increase spring life.
- Plunger wiper reduces contaminant.
- Stop ring for piston blow-out protection.
- Powder coat finish for increased corrosion resistance and antirust.
- SQB-3/8UF coupler and dust cap are included on all models.
- RSSM-50 is fitting with a SQB-3/8JF.

RSSM Series



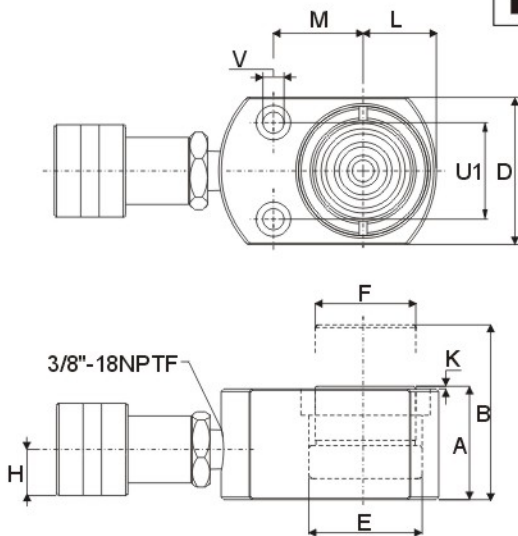
Capacity:
5-150 tons

Stroke:
0.25-0.63 inches

Maximum Operating Pressure:
10,000psi



Handle type
(S) : standard equipped
(O) : option
● Weldable
★ Eyebolt
▲ Removable strap handle
■ Thread



Handle type	Model Number	Cylinder Capacity	Stroke	Cylinder Effective Area	Oil Capacity	Collapsed Height	Extended Height
(S)		(tons)	(in)	(in ²)	(in ³)	A (in)	B (in)
	RSSM-50	5	0.25	0.99	0.25	1.28	1.53
	RSSM-100	10	0.44	2.24	0.98	1.69	2.13
	RSSM-200	20	0.44	4.43	1.94	2.03	2.47
	RSSM-300	30	0.50	6.49	3.25	2.31	2.81
	RSSM-500	50	0.63	9.62	6.01	2.63	3.25
●	RSSM-750	75	0.63	15.90	9.94	3.13	3.75
●	RSSM-1000	100	0.63	19.63	12.27	3.38	4.00
●	RSSM-1500	150	0.63	30.68	19.17	3.94	4.56

Outside Diameter	Cylinder Bore Diam.	Plunger Diam.	Base to Adv. Port	Plunger Protrusion from Base	Plunger to Base	Plunger to Mtg. Hole	Weight	Base Mounting Hole				Model Number
								Hole Pitch.	Hole Diam.	Counter Bore Diam.	Counter Bore Depth	
D (in)	E (in)	F (in)	H (in)	K (in)	L (in)	M (in)	(lbs)	U1(in)	V(in)	(in)	(in)	
2.31 X 1.63	1.13	1.00	0.63	0.04	0.81	0.88	2.3	1.12	0.20	0.312	0.17	RSSM-50
3.25 X 2.19	1.69	1.50	0.75	0.04	1.09	1.34	3.1	1.44	0.28	0.422	0.31	RSSM-100
4.00 X 3.00	2.38	2.00	0.75	0.04	1.56	1.56	6.8	1.94	0.40	0.594	0.39	RSSM-200
4.63 X 3.75	2.88	2.50	0.75	0.08	1.88	1.75	10.0	2.06	0.40	0.625	0.44	RSSM-300
5.50 X 4.50	3.50	2.75	0.75	0.08	2.25	2.13	15.0	2.62	0.47	0.750	0.50	RSSM-500
6.50 X 5.50	4.50	3.25	0.75	0.08	2.75	2.63	25.0	3.00	0.53	0.812	0.56	RSSM-750
7.00 X 6.00	5.00	3.63	0.75	0.08	3.00	2.94	32.0	3.00	0.53	0.812	0.56	RSSM-1000
8.50 X 7.50	6.25	4.50	0.94	0.08	3.75	3.25	58.0	4.62	0.53	0.812	0.56	RSSM-1500